

14th CHRIS Meeting
15-17 August 2002, Shanghai, China

REPORT ON HGMIO ACTIVITIES

Dr. Lee Alexander
 Chairman, IHO-IEC HGMIO

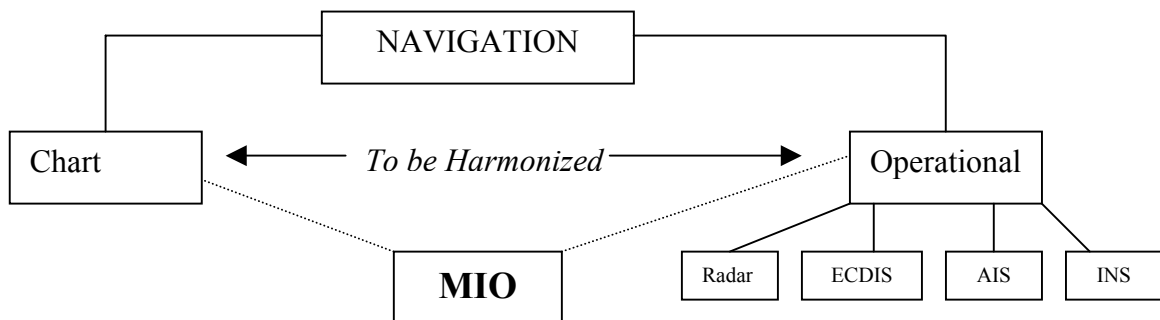
1. The **First meeting of the IHO-IEC Harmonization Group on Marine Information Objects (HGMIO)** was held 15-16 January 2002 at the University of New Hampshire (Center for Coastal and Ocean Mapping – Joint Hydrographic Center), Durham, New Hampshire, USA. Thirteen persons attended representing four member states, and seven organizations including IHB. The primary objectives of this first meeting were to clarify the focus/scope of the Terms of Reference, review the status of MIO-related efforts, discuss the relationship of HGMIO to other IHO and IEC Committees/Working Group, and to agree on a overall work plan/approach for dealing with MIO-related standards development.

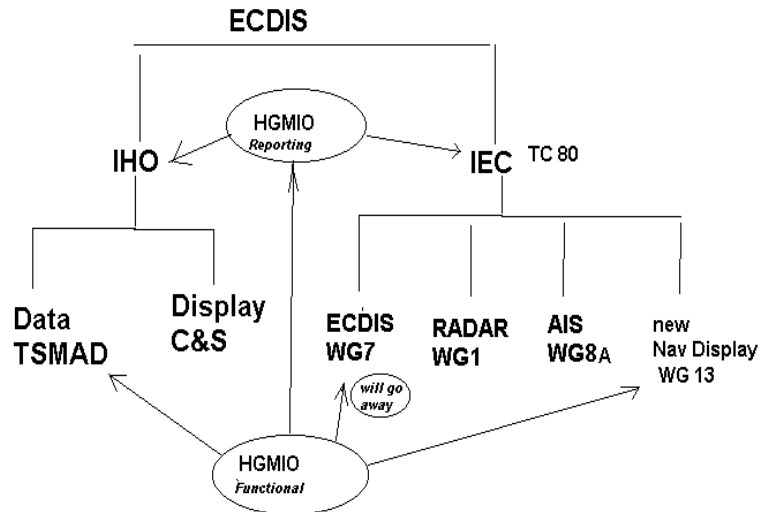
a. The Draft Terms of Reference (ToR) initially approved at CHRIS 13 in September 2001 was reviewed. Discussion focused on the need for a clear definition of what is (and is not) a Marine Information Object (MIO), and how the Harmonization Group would contribute to the work of both IEC and IHO. Useful comments and recommendations were received from the Chairman of C&SMWG and TSMAD. The revised ToR resulting from the meeting was forwarded to IHO CHRIS and to IEC TC80 for approval. On 16 May 2002, a ToR for HGMIO was issued by IHB via CHRIS Circular Letter No. 3/2002

b. The initial discussion of MIOs focused on previously developed or proposed IHO S-57 objects/attributes and display aspects. A review of the current status of MIO-related efforts or categories included:

- Ice Information
- Meteorological
- Tides/Water Levels
- Current Flow
- Oceanographic
- Marine Habitats
- Environmental Protection
- Vessel Traffic Services (VTS)

c. The following two diagrams show the operational, functional, and reporting relationships between the various IEC and IHO Committees/Working Groups:





2. Approach

Since it is a “harmonization” group between two parent organizations, a key aspect of the work of HGMIO is to keep both IHO and IEC informed as to the various MIOs under consideration. Concurrence will be sought before undertaking any substantial or new initiative. An example of this is the recent designation by IMO of Environmentally Sensitive Sea Areas (ESSAs) and Particularly Sensitive Sea Areas (PSSAs). In particular, how (or who) should deal with developing S-57 data and S-52 display objects for this type of information?

3. Work Program

For each the various categories of MIO (see Paragraph 1b), Task Leaders have been assigned. Each Task Leader is to prepare a short “white paper” that describes the status of IHO S-57 objects, product specifications, proposed colours and symbols, test dataset, and any field trials (performed or planned). These reports will be reviewed at the next meeting tentatively planned for January-February 2003.

Much of the work of HGMIO will take place via e-mail correspondence and the Open ECDIS Forum (OEF). Persons interested in participating or being kept informed of the activities of HGMIO, can contact Dr. Lee Alexander at: lee.alexander@unh.edu.