

# Hydrographic Services and Standards Committee

Proposal by the FR

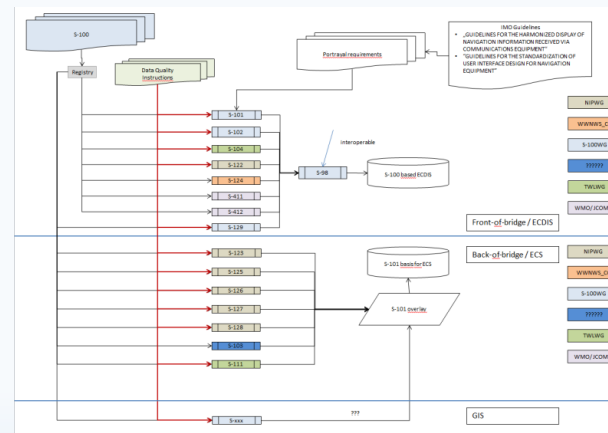
HSSC11-04.8A

Develop and incorporate architectural vision of S-100  
products and ECDIS into S-98 development

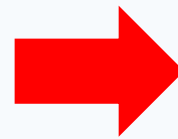


# Questions raised

- **Need of high level inputs to be incorporated into S-98 development**
- S-100 implementation strategy: principles of combined use of S-100 products a S-100 ECDIS
- Use cases: the context in which each product will be used should be defined



Needed



From NIPWG ref HSSC 11-05.3D



# A top-down analysis

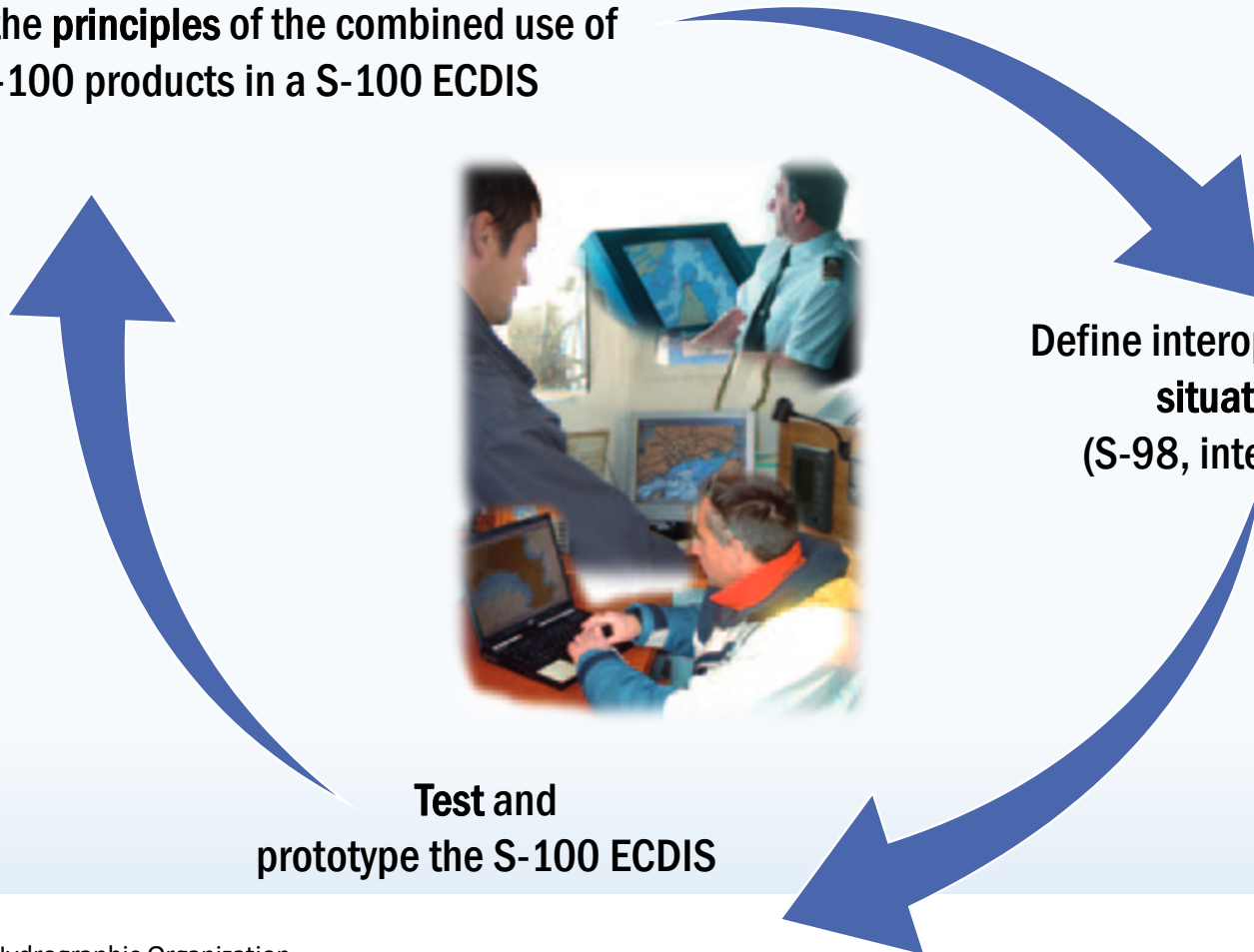
---

**Build the principles of the combined use of S-100 products in a S-100 ECDIS**



**Define interoperability rules user and situational dependant (S-98, interoperability catalog)**

**Test and prototype the S-100 ECDIS**



# Action requested of HSSC

---

- Task a dedicated sub-working group:
  - to produce a functional analysis of related products from the point of view of the mariner, which may involve the mapping of data flow through related products, the definition of the architecture of S-100 products and their use cases;
  - to define the operating principles governing S-100 ECDIS, including principles of interoperability;
  - to check that the development achievement of S-100 products and S-98 is consistent with the overall vision of the implementation strategy of S-100. Concepts should be proven by test beds.

